



Technical Data Sheet

EmoStyle H

Innovative premium-class sauna control unit for dry sauna operation and air conditioning.

Exclusive control panel with front side completely made of glass in a black and white design, colour TFT-display and separate power unit. Thanks to the innovative operating concept, the unit can be operated intuitively and quickly, and numerous functions can be reached and set very quickly.

Properties and advantages:

- Flat, compact control panel with modern TFT colour display.
- Simple, easy operation via capacitive keys.
- Made in Germany - Quality by EOS

Properties:

| | |
|----------------------|--|
| Case: | Load unit: Plastic Control panel: Front side completely made of glass |
| Screen: | TFT colour display with menu navigation |
| Menu navigation: | 19 languages |
| Temperature control: | digital two-point regulation, 30 - 115°C |
| Heating time limit: | 6,12 hours and infinite |
| Time pre-selection: | 24 hrs in real time or week timer |
| Temperature limit: | 139 °C safety limit |
| Switching power: | up to 9 kW (can be expanded with LSG) |
| Connection: | 400 V 3N AC 50 Hz. |
| Control panel HxWxD: | 132 x 135 x 25 mm |
| Power unit HxWxD: | 270 x 300 x 100 mm |
| Assembly: | Control panel - installation or attachment, power unit - wall mounting. |

- Easy and intuitive operation
- Menu navigation in 19 languages
- Control panel with TFT-display
- Simple, quick installation
- Premium functions
- Made in Germany 

Power element

Split front side facilitates assembly.
Connections can be made at the bottom and the back.



Control panel

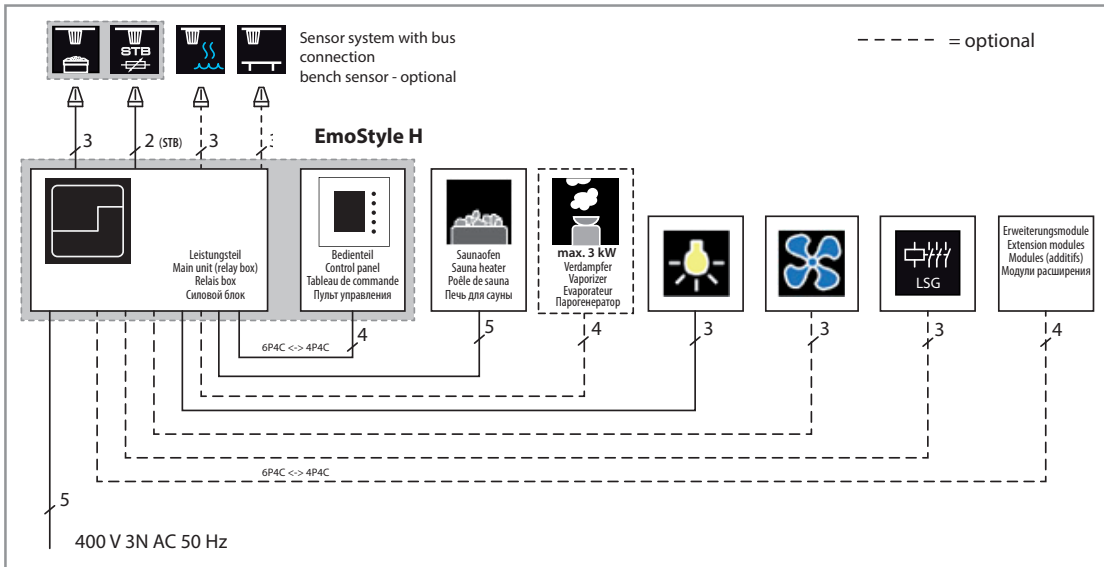
Installation or attachment is possible The figure shows the user interface when optional accessories are connected.



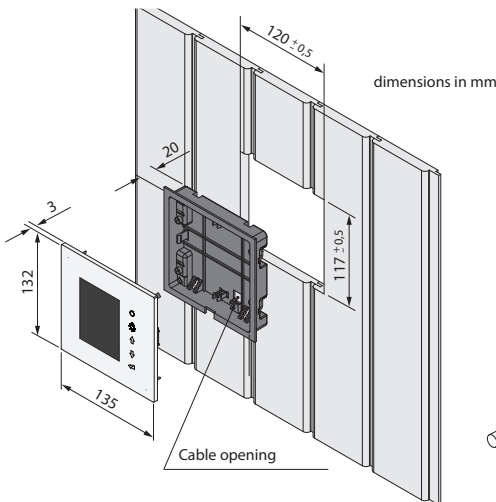
MADE IN GERMANY 

Technical data subject to change

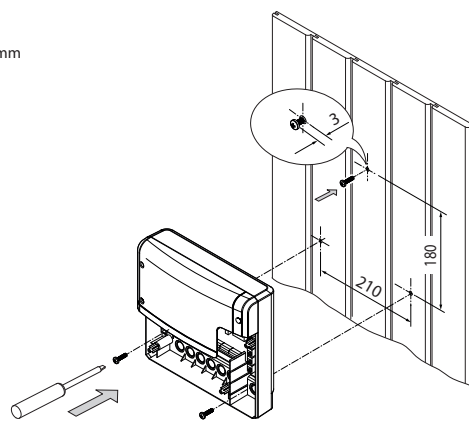
Connection diagram



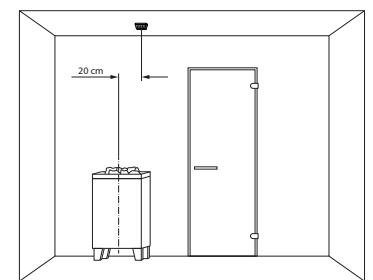
Mounting the control panel



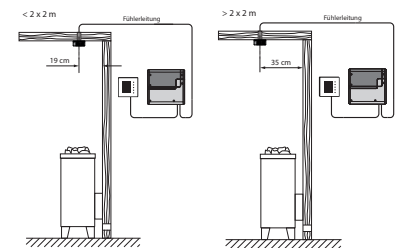
Mounting the power unit



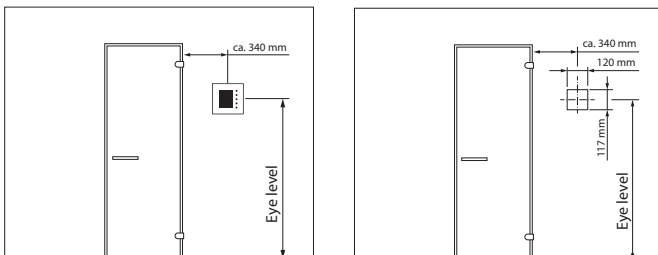
Mounting the sensor



by sauna cabins:



Front view sauna wall



Accessories

| Description | Article number |
|---|----------------|
| Stove sensor complete | 94.5743 |
| Circuit board temperature limiter (STB) | 94.5732 |
| Bench sensor (2nd temperature sensor) | 94.5725 |

Specifications

| Art. No. | electr. connection | Switching output | Control range | Heating time limiter | Timer limit | Light output | Fan output | probe | Control panel (HBT) | Load unit (HBT) |
|--------------------|--------------------|--------------------------------------|---------------|-------------------------|----------------------|---|--------------------------------|---|---|-------------------------------------|
| 94.6315 94.6319 | 400V 3N AC 50 Hz | 9.0 kW (can be expanded with LSG) | 30° - 115°C | 6 hrs / 12 hrs / 99 hrs | 24 hrs or week timer | 230 V, ohmic, capacitive, inductive load. | 230 V / max. 150 W, adjustable | Digital, with 5 m cable. bench sensor - optional | 132 x 135 x 25 mm installation assembly (mounting - optional) | 270 x 300 x 100 mm Wall mounting |